

### AAHR90 Heat Recovery Vent



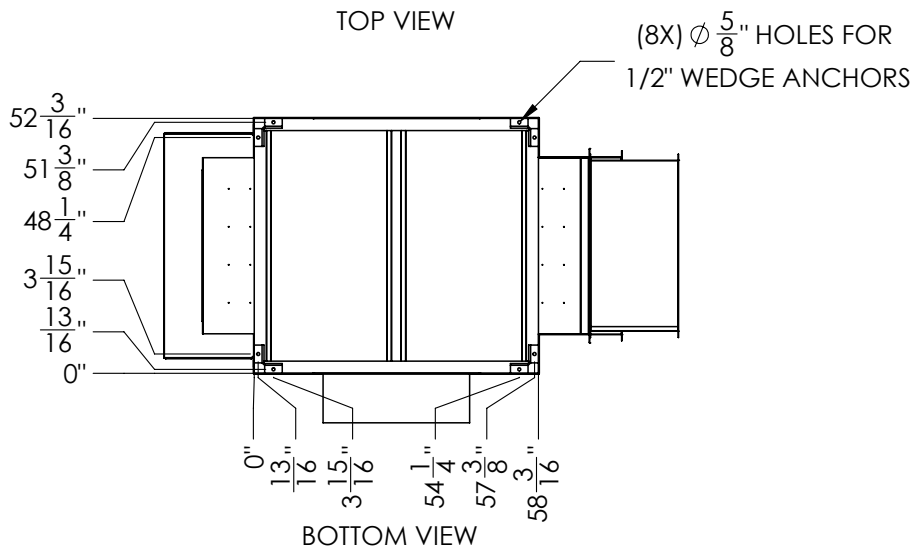
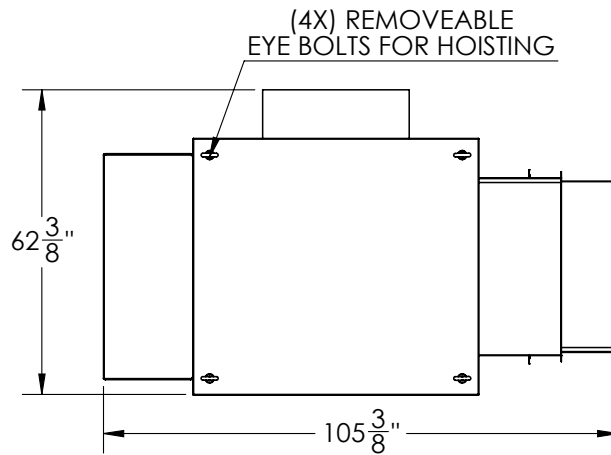
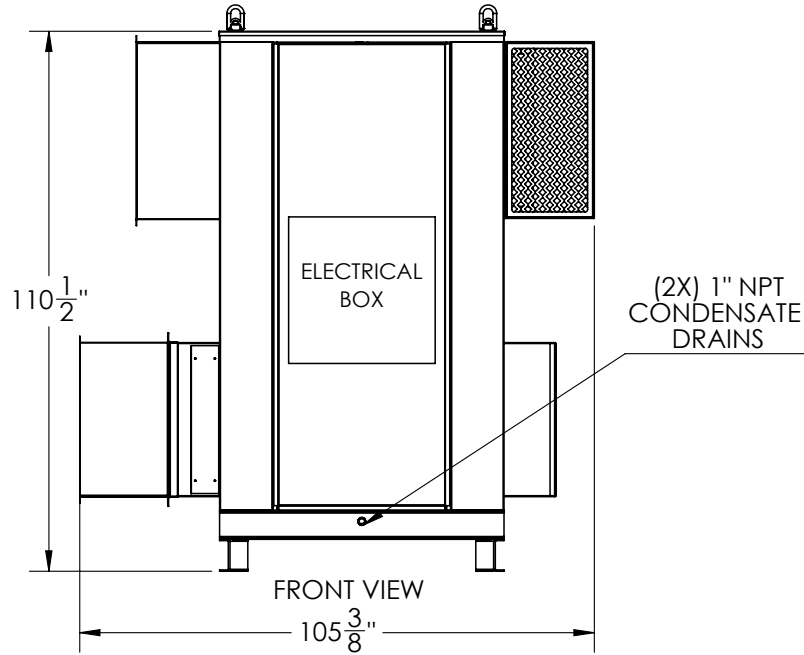
#### Introduction

Nyle Thermal AAHR90 Heat Recovery Vent is capable of recovering up to 80% of waste heat and saving up to 30% on fuel costs.

#### Standard Features

- Build America Buy America compliant
- Monobloc design for easy installation
- High efficiency, passive air-source heat recovery vent
- Industry leading factory support and order lead times
- Capable of sustaining air temperatures up to 248°F (120°C)

# Dimensions



<b>Unit Specifications</b>	<b>Data</b>
<b>Ambient Operating Temps (F / C)</b>	-4°F (-20°C) to 248°F (120°C)
<b>Electrical Requirements (V)</b>	480/3/60
<b>MCA / MOCP (Amperage)</b>	MCA: 13A
	MOCP: 20A
<b>Minimum Inlet (Source) Temp</b>	60°F (16°C)
<b>Maximum Inlet (Source) Temp</b>	248°F (120°C)
<b>Minimum Outlet (Sink) Temp</b>	37°F (3°C)
<b>Maximum Outlet (Sink) Temp</b>	188°F (87°C)
<b>C.O.P.</b>	20.0
<b>Duct Connection Sizes</b>	Outlet: (2x) 35" X 31.5"
	Inlet: (1x) 36.5" X 36.5"
<b>Footprint Dims (LxWxH)</b>	62 3/8" X 105 3/8" X 110 1/2"
<b>Weight (lbs)</b>	1,500 lbs
<b>Maximum Heating Capacity (BTUh / kW)</b>	306 kBTUh / 90 kW

