



50AA Commercial Heat Pump



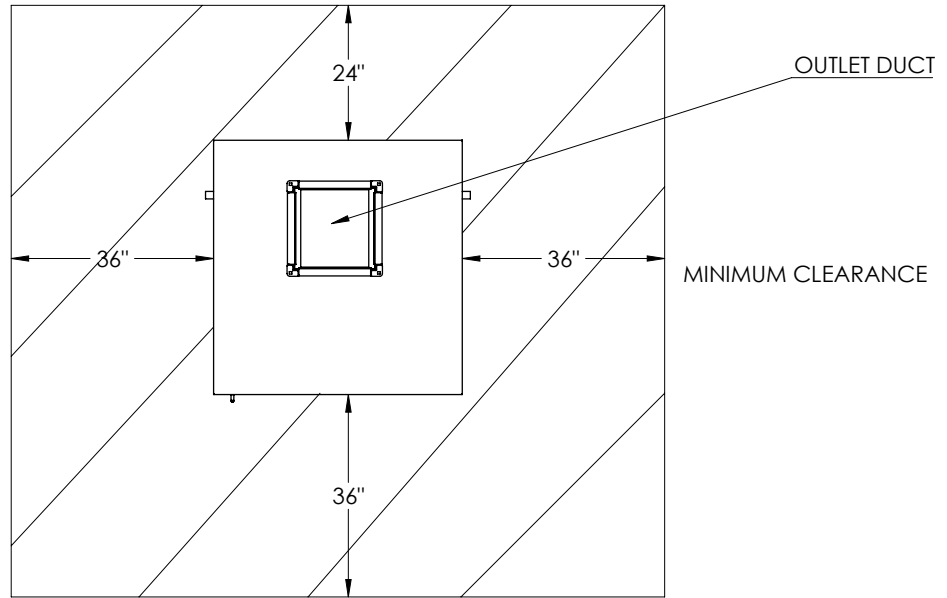
Introduction

Nyle Thermal 50AA an Air to Air source heat pump, capable of averaging 50 kilowatts of heating capacity

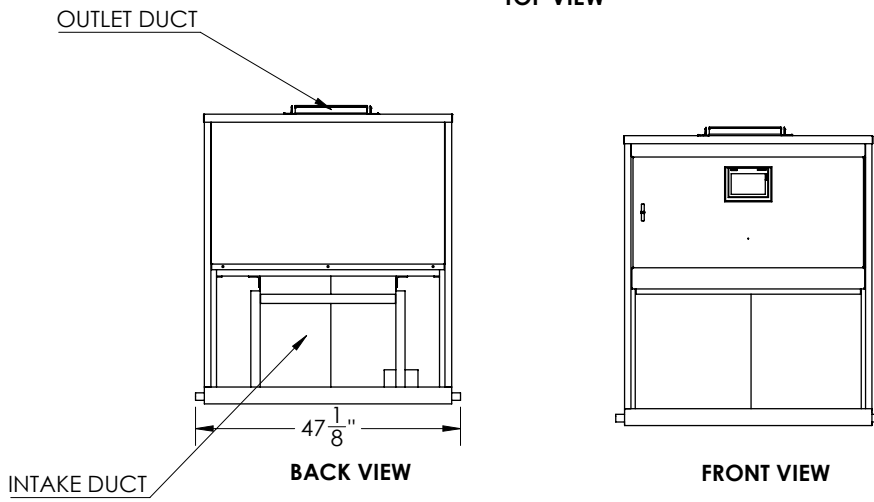
Standard Features

- Build America Buy America compliant
- Monobloc design for easy installation
- High efficiency, air-source heat pump
- Industry leading factory support and order lead times
- Capable of sustaining air temperatures up to 160°F (71°C)

Dimensions

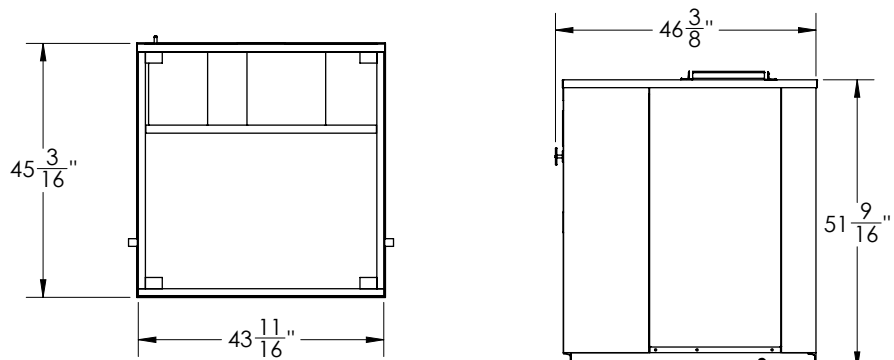


TOP VIEW



BACK VIEW

FRONT VIEW



BOTTOM VIEW

SIDE VIEW

| Unit Specifications | Data |
|---|--------------------------------|
| Ambient Operating Temps (F / C) | 85°F (29°C) to 160°F (71°C) |
| Electrical Requirements (V) | 480/3/60 |
| MCA / MOCP (Amperage) blower/compressor | MCA: 37A |
| | MOCP: 40A |
| Minimum Inlet (Source) Temp | 85°F (29°C) |
| Maximum Inlet (Source) Temp | 160°F (71°C) |
| Minimum Outlet (Sink) Temp | 85°F (29°C) |
| Maximum Outlet (Sink) Temp | 185°F (85°C) |
| C.O.P. | 3.0 |
| Duct Connection Sizes | Outlet: 20" X 20" |
| | Inlet: 58 ½" X 19 ½" |
| Footprint Dims (LxWxH) | 43 1/16" X 45 3/16" X 51 9/16" |
| Weight (lbs) | 2000 |
| Maximum Heating Capacity (BTUh / kW) | 180 kBTUh / 50 kW |
| Refrigerant | R513a |